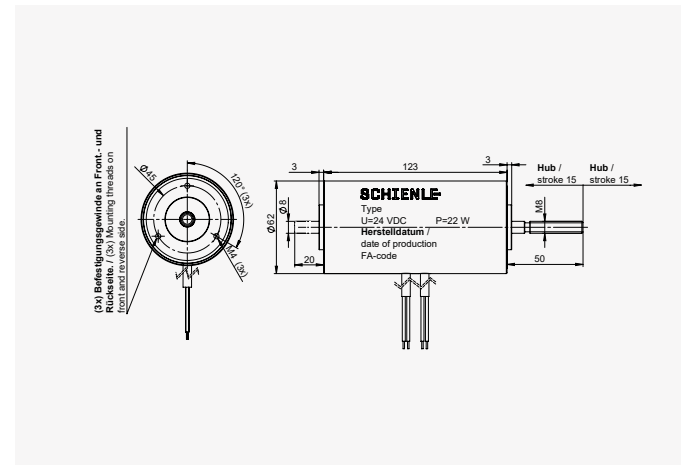


Double stroke solenoid SLA 062E yyy A



Double acting solenoids are magnets where electromagnetic forces move the armature from the home position to one of the two stroke end positions. Return to the home position is usually carried out by external forces. On both sides, the armature is guided on maintenance-free precision bearings, ensuring a long working life. An axial power take off is important in this context. The solenoids can be supplied with free cable ends, protection class according to DIN VDE 0470/EN 60529 – IP20, or with plug connectors according to DIN 43650, protection class DIN VDE 0470/EN 60529 – IP54.

Type code:

x = Type of connector
A-DIN Connector, B-AMP Connector

SLA 062E **yyy** A

yyy = Voltage
012 = 12 V, 024 = 24 V

Technical data

duty cycle [%]	100
max. ambient temperature [C°]	40
working stroke [mm]	15
nominal power [W]	22
nominal voltage [V]	12 – 205
ingress protection rating	IP20
thermal class (coil)	F
electrical connection	DIN A
surface protection	conical cover and housing zinc-coated

Force vs. stroke diagram

