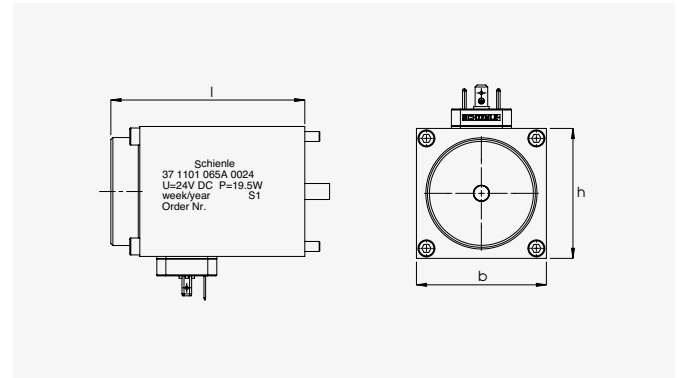
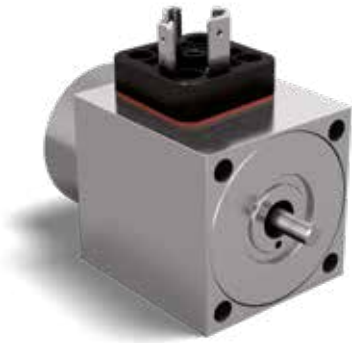


## On/Off solenoids



### Valve solenoid with pressure-proof core tube up to 350 bar

The force-current characteristics have a rising head curve and can be adapted to customer-specific demands.

Specially designed for use in oil hydraulics, optional manual override and a variety of electrical plug types (also MIL solutions) are available. The mechanically and electrically robust construction guarantees a long lifespan and reliable operation, even in adverse environmental conditions. For devices of this series, we offer extensive benefits even from medium lot sizes, like for example individual identification by serial number, with access to the inspection protocol.

Dimensions: 25 x 25 mm, 35 x 35 mm, 45 x 45 mm, 60 x 60 mm  
The technical data can be obtained from the attached table.

General	
Medium:	Mineral oil
Maximum operating pressure:	see table

Elektrische Daten	
Operating voltage:	see table 1
Power consumption:	see table 1
Pull power:	see table 1
On-time:	S1
Electrical connection:	DIN A,B,C, AMP, DT, Desina etc.
Class of insulating material according to VDE 0580:	F
Insulation strength:	≥ 10 M Ohm

Environmental conditions	
Temperature	
Medium:	-40° to +135 °C
Environment:	-40° to +135 °C
Protection type (DIN 40050):	IP65, depending on plug type
Wear resistance of housing material:	Iron parts galvanized according to DIN 50979 Fe//Zn8//Cn//T0

Table 1

Type	Lift [mm]	Force [N]	Power [W]	Voltage [V]	w [mm]	h [mm]	l [mm]	Pressure [bar]
25er	1 + 0.7	20 – 80	22	12 – 24	25	25	42	100
35er	3 + 3	30 – 100	25	12 – 205	35	35	67	350
45er	4 + 1	70 – 130	32	13 – 205	45	45	70	350
60er	4.5 + 4.5	90 – 235	38	14 – 205	60	60	90	350