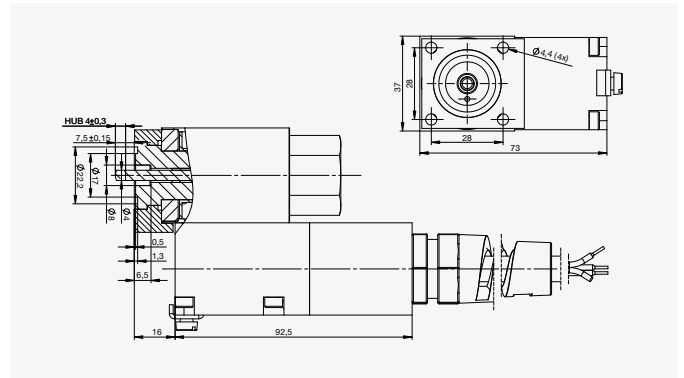


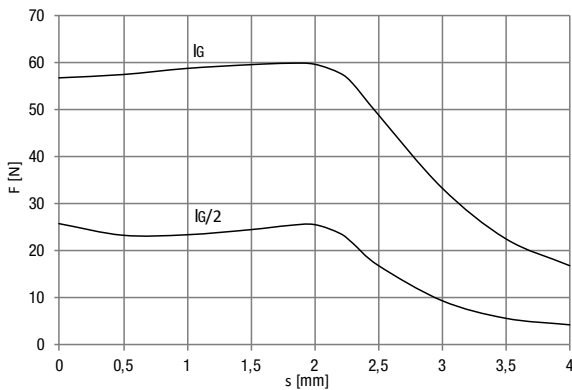
## Proportional solenoid Ex 14



### Proportional solenoid for hydraulic valves – Size 37

- Square electromagnet in explosion-proof design.
- Thanks to the protection class-compliant flame proof “d” and “XP” enclosure, this product can be used worldwide – USA, RUS, IECEx, ATEX approval for Division 1 and Zone 1, 21 in gas and dust atmospheres.
- Ideal for NG4 and NG6 valves.
- The solenoid tube and valve interface can be customised to a large extent.

### Force vs. stroke diagram



The values can deviate +/- 5%

Technical data	24 V	12 V
limit current [A]	0.67	1.35
duty cycle [%]	100	100
max. ambient temperature [°C]	55	55
max. medium temperature [°C]	+70	+70
ingress protection rating	IP67	IP67
thermal class (coil)	H	H
tube diameter [mm]	19	19
static working pressure [bar]	250	250
working stroke [mm]	3; 2,5 (5,5); 1,8; 1,6; 2,5 (5,5)	3; 2,5 (5,5); 1,8; 1,6; 2,5 (5,5)
adaptor flange	free	free
manual override	yes	yes
surface treatment	iron parts zinc-plated EN 12329-Fe/Zn8/C or DIN 50979 Fe//ZnNi4-8//Cn//TO RoHS-conformed	iron parts zinc-plated EN 12329-Fe/Zn8/C or DIN 50979 Fe//ZnNi4-8//Cn//TO RoHS-conformed

Type	Certification	Ambient temperature	Labeling
EX14	NEC 500 (USA)	-40 °C up to +55 °C	⊕ XP, Class I, Division 1, Group C, D, T4 DIP, Class II, Division 1, Group E, F, G T4 DIP, Class III, Division 1 & 2
	NEC 505 (USA) NEC 506 (USA)	-40 °C up to +55 °C	⊕ Class I, Zone 1, AEx d IIB, T4 Gb Zone 21, AEx tb IIIC T135 °C Db
	CEC Section 18 Annex J	-40 °C up to +55 °C	⊕ XP, Class I, Division 1, Group C, D, T4 DIP, Class II, Division 1, Group E, F, G T4 DIP, Class III, Division 1 & 2
	CEC Section 18	-40 °C up to +55 °C	⊕ Class I, Zone 1, AEx d IIB, T4 Gb
	ATEX	-40 °C up to +55 °C	⊕ II 2G Ex d IIB T4 Gb ⊕ II 2D Ex tb IIIC T135 °C Db
	IECEx	-40 °C up to +55 °C	Ex d IIB T4 Gb Ex tb IIIC T135 °C Db