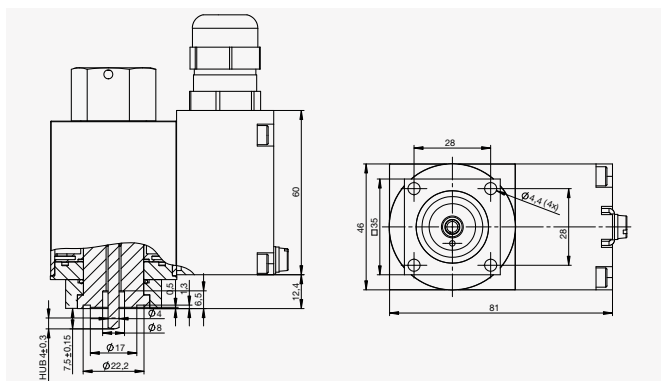




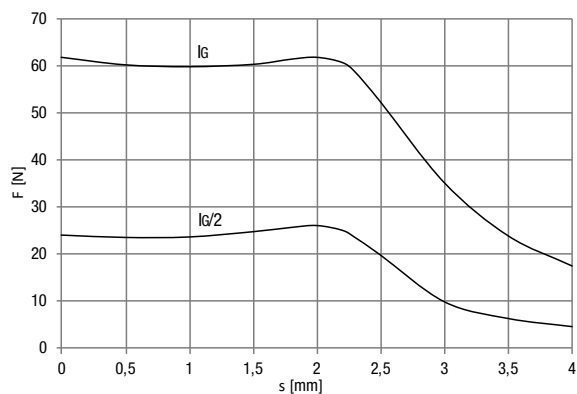
Proportional solenoid Ex 18



Proportional solenoid for hydraulic valves – Size 46

- Powerful square electromagnet in explosion-proof design – type of protection “m”. Approved for Zone 1, Zone 21 with gas and dust atmospheres as well as for the mining sector.
- Ideal for NG4 and NG6 valves.
- The solenoid tube and valve interface can be customised to a large extent. Available in various different voltages and output specifications.

Force vs. stroke diagram



The values can deviate +/- 5 %

Technical data	24 V	12 V
limit current [A]	0.34	0.65
duty cycle [%]	100	100
max. ambient temperature [°C]	+45/ +55/ +70	+45/ +55/ +70
max. medium temperature [°C]	+70	+70
ingress protection rating	IP67	IP67
thermal class (coil)	H	H
tube diameter [mm]	22	22
static working pressure [bar]	250	250
working stroke [mm]	4	4
adaptor flange	free	free
manual override	yes	yes
surface treatment	iron parts zinc-plated EN 12329-Fe/Zn8/C or DIN 50979 Fe//ZnNi4-8//Cn//T0 RoHS-conformed	iron parts zinc-plated EN 12329-Fe/Zn8/C or DIN 50979 Fe//ZnNi4-8//Cn//T0 RoHS-conformed

Type	Certification	Ambient temperature	Labeling DC	AC
EX18	ATEX	-40 °C up to +70 °C	I M2 Ex e mb I Mb	I M2 Ex mb I Mb
		for Tx = T4 or T135 °C and Pn = 10 W	II 2G Ex e mb IIB Tx Gb	II 2G Ex mb IIB Tx °C Gb
		-40 °C up to +55 °C	II 2D Ex tb IIIC Tx °C Db	II 2D Ex mb IIIC Tx °C Db
	IECEx	-40 °C up to +45 °C	Ex e mb I Mb	Ex mb I Mb
		for Tx = T6 or T85 °C and Pn = 10 W	Ex e mb IIB Tx Gb	Ex mb IIB Tx °C Gb
		-40 °C up to +60 °C	Ex tb IIIC Tx °C Db	Ex mb IIIC Tx °C Db
		for Tx = T4 or T135 °C and Pn = 18 W		