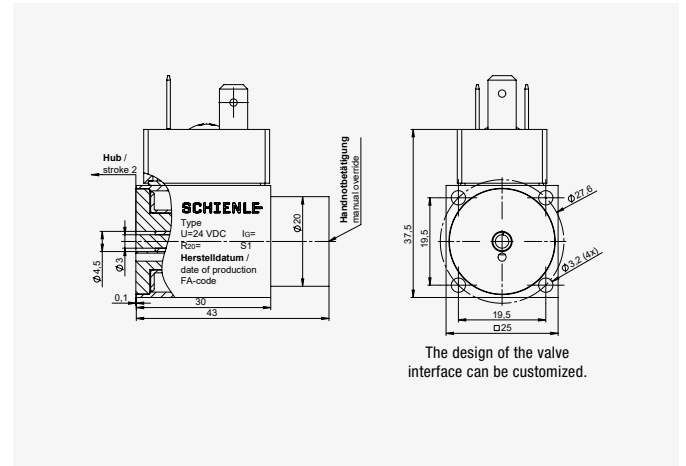


# Proportional solenoid PDA 025x 0yy



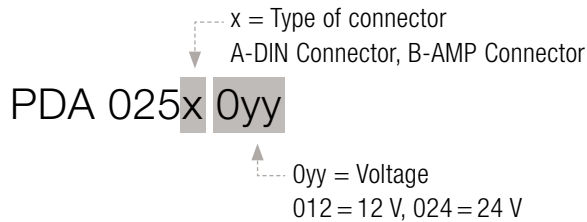
## Proportional solenoid for hydraulic valves – Size 25

Square electromagnet in proven sturdy, long-lasting design. Enclosed by solid square housing, which is affixed to the valve with four screws, this pressure-resistant armature tube withstands operating pressure of 320 bar.

The armature's bearings are of high quality with low friction, and in the event of a fault it can be operated via the integrated manual override.

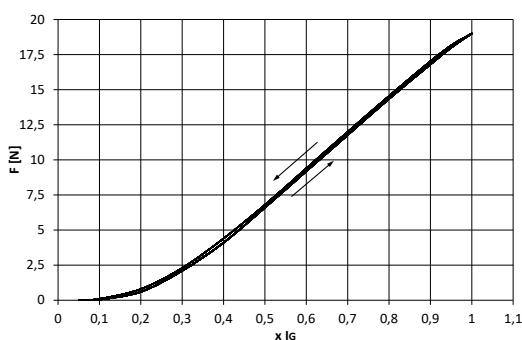
- Electrical design: Construction type and inspection in accordance with VDE 0580
- Electrical connection: DIN EN 175301-803
- Protection class in accordance with DIN VDE 0470, EN 60529

### Type code:



Technical data	24 V	12 V
duty cycle [%]	100	100
max. ambient temperature [C°]	50	50
static working pressure [bar]	320	320
total stroke [mm]	2	2
working stroke [mm]	1	1
force hysteresis [%]	~5	~5
current hysteresis [%]	~5	~5
nominal resistance [Ω]	26	6.5
nominal current [A]	0.44	0.92
limit current [A]	0.44	0.92
nominal output [W]	5	5.5
limit output [W]	7.8	7.9
armature weight [kg]	0.01	0.01
total weight [kg]	0.12	0.12
ingress protection rating	IP65	IP65
inductance [mH]	45	15
thermal class (coil)	F	F

### Force vs. current diagram



The values can deviate +/- 5 %

### Force vs. stroke diagram

