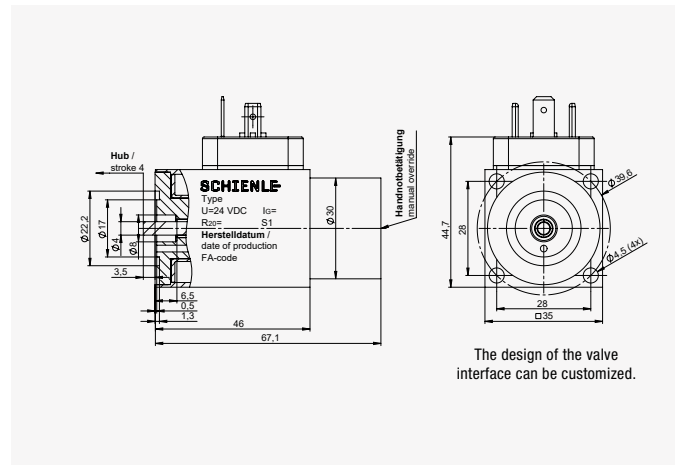


Proportional solenoid PDA 035x 0yy



Proportional solenoid for hydraulic valves – Size 35

Square electromagnet in proven sturdy, long-lasting design. Enclosed by solid square housing, which is affixed to the valve with four screws, this pressure-resistant armature tube withstands operating pressure of 320 bar.

The armature's bearings are of high quality with low friction, and in the event of a fault it can be operated via the integrated manual override.

- Electrical design: Construction type and inspection in accordance with VDE 0580
- Electrical connection: DIN EN 175301-803
- Protection class in accordance with DIN VDE 0470, EN 60529

Type code:

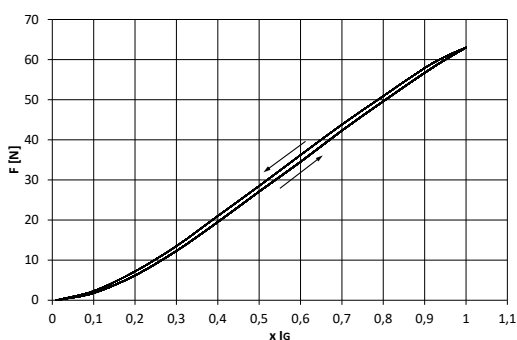
x = Type of connector
 A-DIN Connector, B-AMP Connector

PDA 035x 0yy

0yy = Voltage
 012 = 12 V, 024 = 24 V

Technical data	24 V	12 V
duty cycle [%]	100	100
max. ambient temperature [C°]	50	50
static working pressure [bar]	320	320
total stroke [mm]	4	4
working stroke [mm]	2	2
force hysteresis [%]	~5.5	~5.5
current hysteresis [%]	~5	~5
nominal resistance [Ω]	24	7
nominal current [A]	0.7	1.3
limit current [A]	0.7	1.3
nominal output [W]	11.8	11.8
limit output [W]	17.4	17.7
armature weight [kg]	0.037	0.037
total weight [kg]	0.47	0.47
ingress protection rating	IP65	IP65
inductance [mH]	72	21
thermal class (coil)	F	F

Force vs. current diagram



The values can deviate +/- 5%

Force vs. stroke diagram

