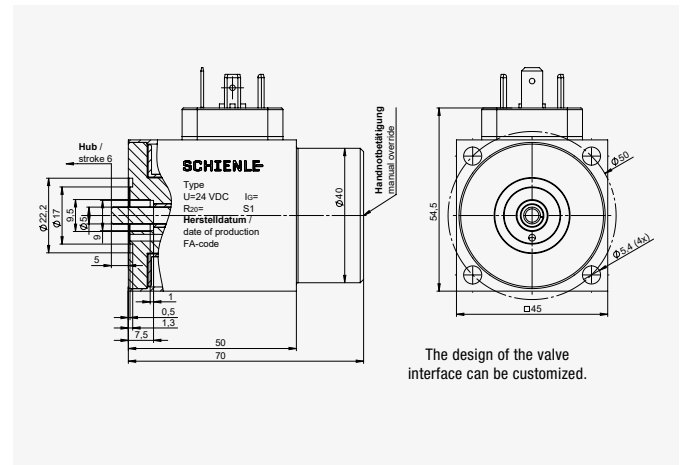
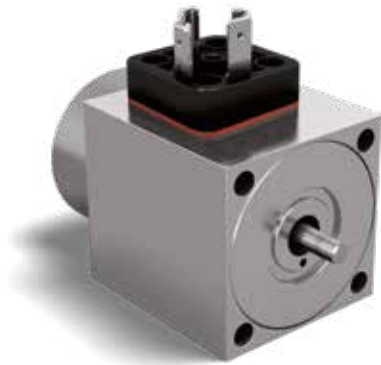


Proportional solenoid PDA 045x 0yy



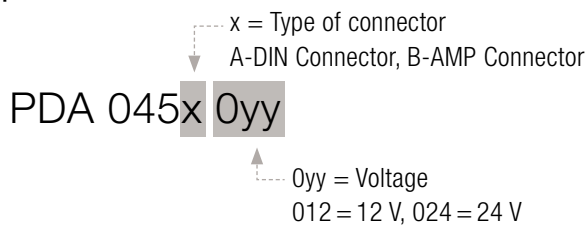
Proportional solenoid for hydraulic valves – Size 45

Square electromagnet in proven sturdy, long-lasting design. Enclosed by solid square housing, which is affixed to the valve with four screws, this pressure-resistant armature tube withstands operating pressure of 320 bar.

The armature's bearings are of high quality with low friction, and in the event of a fault it can be operated via the integrated manual override.

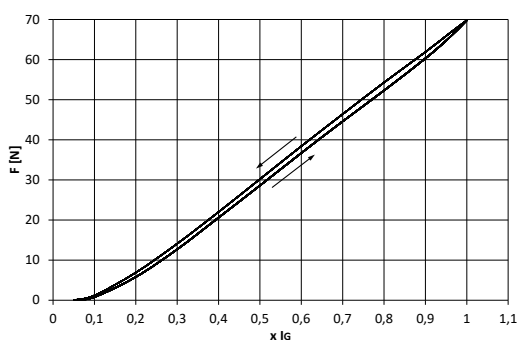
- Electrical design: Construction type and inspection in accordance with VDE 0580
- Electrical connection: DIN EN 175301-803
- Protection class in accordance with DIN VDE 0470, EN 60529

Type code:



Technical data	24 V	12 V
duty cycle [%]	100	100
max. ambient temperature [C°]	50	50
static working pressure [bar]	320	320
total stroke [mm]	6	6
working stroke [mm]	3	3
force hysteresis [%]	~5.5	~5.5
current hysteresis [%]	~5	~5
nominal resistance [Ω]	21.7	4.6
nominal current [A]	0.81	1.8
limit current [A]	0.81	1.8
nominal output [W]	14.2	14.9
limit output [W]	20.4	21.6
armature weight [kg]	0.064	0.064
total weight [kg]	0.83	0.83
ingress protection rating	IP65	IP65
inductance [mH]	87	20
thermal class (coil)	F	F

Force vs. current diagram



The values can deviate +/- 5%

Force vs. stroke diagram

