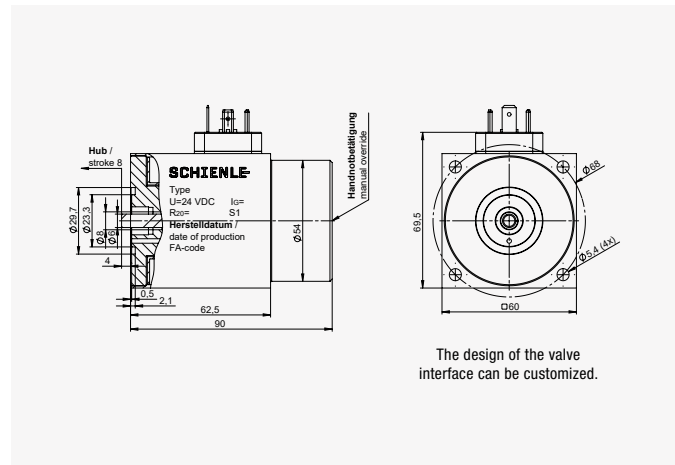


## Proportional solenoid PDA 060x 0yy



### Proportional solenoid for hydraulic valves – Size 60

Square electromagnet in proven sturdy, long-lasting design. Enclosed by solid square housing, which is affixed to the valve with four screws, this pressure-resistant armature tube withstands operating pressure of 320 bar.

The armature's bearings are of high quality with low friction, and in the event of a fault it can be operated via the integrated manual override.

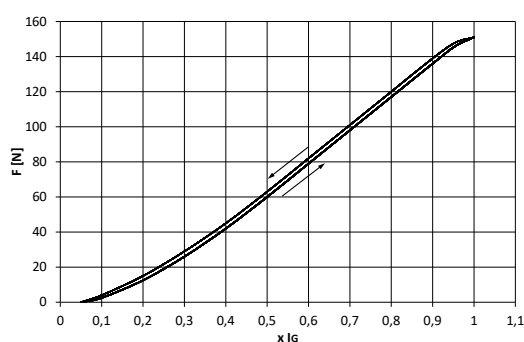
- Electrical design: Construction type and inspection in accordance with VDE 0580
- Electrical connection: DIN EN 175301-803
- Protection class in accordance with DIN VDE 0470, EN 60529

### Type code:

$x$  = Type of connector  
 A-DIN Connector, B-AMP Connector  
**PDA 060x 0yy**  
 $0yy$  = Voltage  
 012 = 12 V, 024 = 24 V

Technical data	24 V	12 V
duty cycle [%]	100	100
max. ambient temperature [C°]	50	50
static working pressure [bar]	320	320
total stroke [mm]	8	8
working stroke [mm]	4	4
force hysteresis [%]	~6	~6
current hysteresis [%]	~5.5	~5.5
nominal resistance [ $\Omega$ ]	16.5	4.1
nominal current [A]	1.15	2.3
limit current [A]	1.15	2.3
nominal output [W]	22	22
limit output [W]	29.5	30.1
armature weight [kg]	0.12	0.12
total weight [kg]	1.75	1.75
ingress protection rating	IP65	IP65
inductance [mH]	97	24
thermal class (coil)	F	F

### Force vs. current diagram



The values can deviate +/- 5%

### Force vs. stroke diagram

