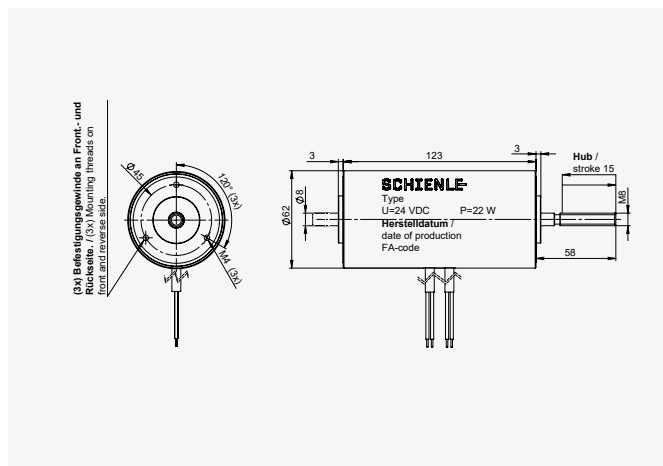


Reversal stroke solenoid SLA 062E yyy B



Reverse stroke solenoids are effective at both ends. The stroke end position of the plunger in a solenoid system is also the starting position of the stroke in another solenoid system. In this version, the plunger does not have to be reset using mechanical force. The plunger is operated at both ends in zero-maintenance precision bearings, ensuring a long lifetime. It is important that force is drawn off axially. Solenoids can be supplied with free cable ends (with DIN VDE 0470/EN 60529 – IP20 protection), or with DIN 43650 connectors (with DIN VDE 0470/EN 60529 – IP54 protection).

Type code:

x = Type of connector
 A-DIN Connector, B-AMP Connector

SLA 062E yyy B

yyy = Voltage
 012 = 12 V, 024 = 24 V

Technical data

duty cycle [%]	100
max. ambient temperature [C°]	40
working stroke [mm]	15,5 + 1
nominal power [W]	22
nominal voltage [V]	12 – 205
ingress protection rating	IP 20
thermal class (coil)	F
electrical connection	DIN A
surface protection	conical cover and housing zinc-coated

Force vs. stroke diagram

