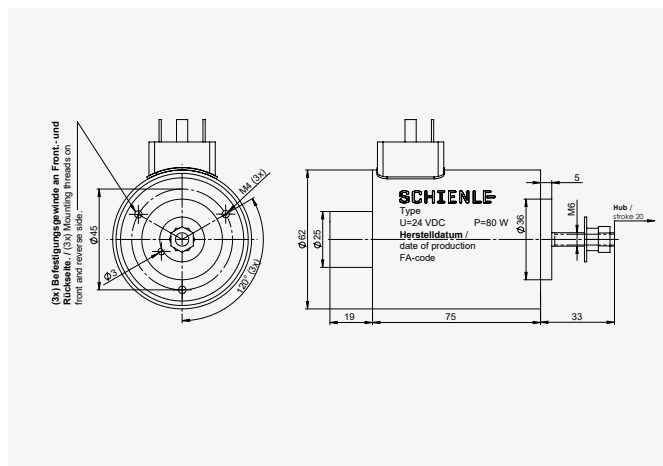


## Single stroke solenoid SLA 062x yyy



The direct acting solenoid SLA 062 is a solid solenoid with plunger. The plunger is guided in highly wear-resistant maintenance-free precision bearings on both sides.

Housing surfaces are corrosion protected. The plunger is chemically nickel-plated. The stroke movement takes place from the stroke starting position to the stroke stop position by electromagnetic forces, whereas the reset is accomplished by a pressure spring. The force transfer should be in axial direction only. Either lateral or front mounting via threaded holes is possible.

Solenoids can be supplied with free cable ends (with DIN VDE 0470 / EN 60529 – IP20 protection), or with DIN 43650 connectors (with DIN VDE 0470 / EN 60529 – IP54 protection).

### Type code:

SLA 062x yyy

x = Type of connector  
 A-DIN Connector, B-AMP Connector

yyy = Voltage  
 012 = 12 V, 024 = 24 V

### Technical data

duty cycle [%]	25
max. ambient temperature [C°]	40
working stroke [mm]	20±0,5
nominal power [W]	80
nominal voltage [V]	12 – 205
ingress protection rating	IP 54
thermal class (coil)	F
electrical connection	DIN A
surface protection	conical cover and housing zinc-coated

### Force vs. stroke diagram

