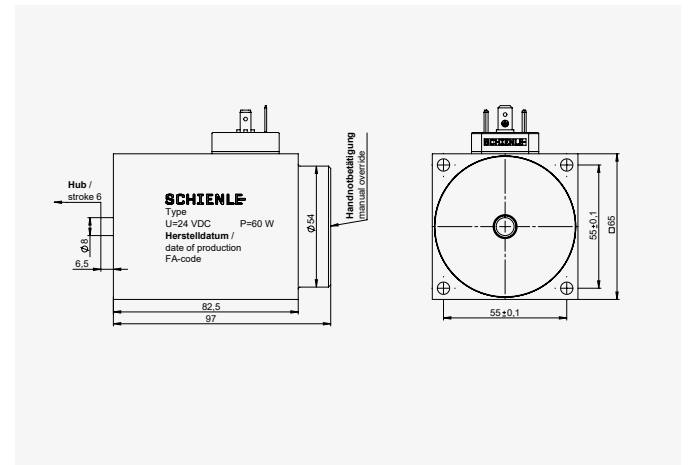


## Single stroke solenoid SLA 065x yyy



The force-current characteristics have enormous force capabilities and can be adapted to customer-specific demands. The axis is workable as a valve plunger or an M8 thread axis. Applications including water valves, water hydraulics, high pressure valves or other mechanical tasks with high power requirements. The mechanically and electrically robust construction guarantees a long lifespan and reliable operation, even in adverse environmental conditions.

For devices of this series, we offer extensive benefits even from medium lot sizes, like for example individual identification by serial number, with access to the inspection protocol.

Dimensions: 65 x 65 mm in two power levels: 60 W and 19 W. The technical data can be obtained from the attached table or diagram.

### Type code:

x = Type of connector  
A-DIN Connector, B-AMP Connector

SLA 065x yyy

yyy = Voltage  
012 = 12 V, 024 = 24 V

### Technical data

duty cycle [%]	100
max. ambient temperature [C°]	40
working stroke [mm]	6+0,8
nominal power [W]	60
nominal voltage [V]	12 – 205
ingress protection rating	IP 65
thermal class (coil)	F
electrical connection	DIN A, B, C, AMP, DT, Desina usw.
surface protection	conical cover and housing zinc-coated

### Force vs. stroke diagram

