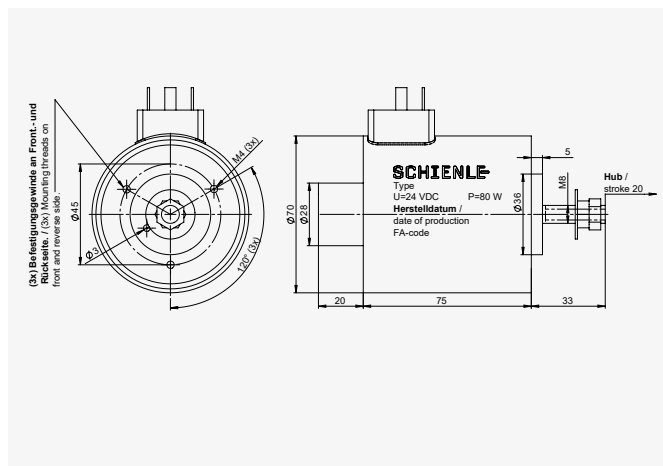


Single stroke solenoid SLA 070x yyy



Our single-acting solenoids are available in different versions, designed for either pulling or pushing action. The plunger must be returned to its original position using external force and is operated in zero-maintenance precision bearings, ensuring a long lifetime. It is important that force is drawn off axially.

Type code:

x = Type of connector
 A-DIN Connector, B-AMP Connector

SLA 070x yyy

yyy = Voltage
 012 = 12 V, 024 = 24 V

Technical data

duty cycle [%]	40
max. ambient temperature [C°]	40
working stroke [mm]	20±0,5
nominal power [W]	80
nominal voltage [V]	12 – 205
ingress protection rating	IP 54
thermal class (coil)	F
electrical connection	DIN A
surface protection	conical cover and housing zinc-coated

Force vs. stroke diagram

