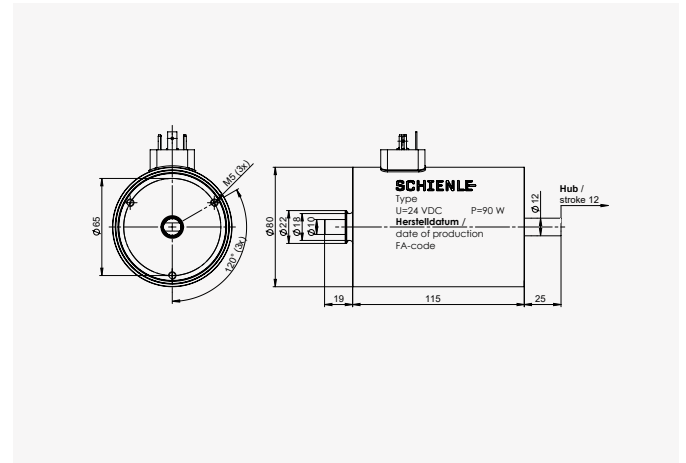


## Single stroke solenoid SLA 080x yyy



Our single-acting solenoids are available in different versions, designed for either pulling or pushing action. The plunger must be returned to its original position using external force and is operated in zero-maintenance precision bearings, ensuring a long lifetime. It is important that force is drawn off axially.

### Type code:

x = Type of connector  
A-DIN Connector, B-AMP Connector

SLA 080x yyy

yyy = Voltage  
012 = 12 V, 024 = 24 V

### Technical data

|                               |  |
|-------------------------------|--|
| duty cycle [%]                | 40                                       |
| max. ambient temperature [C°] | 40                                       |
| working stroke [mm]           | 12+0,6/-0,4                              |
| nominal power [W]             | 90                                       |
| nominal voltage [V]           | 12 – 205                                 |
| ingress protection rating     | IP 67                                    |
| thermal class (coil)          | F  |
| electrical connection         | DIN A                                    |
| surface protection            | conical cover and housing<br>zinc-coated |

### Force vs. stroke diagram

