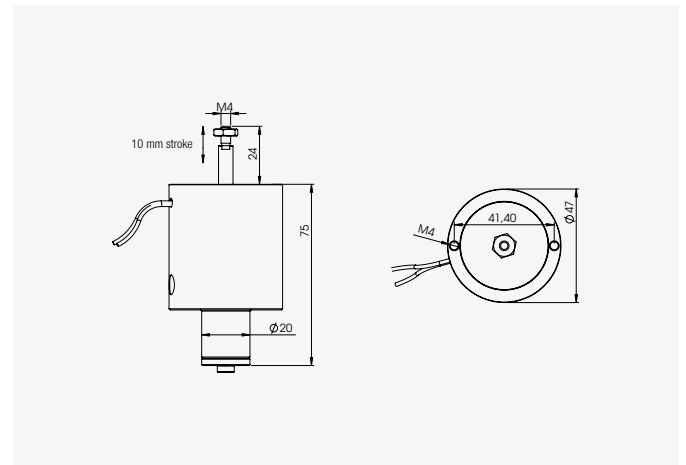


Solenoid – guided axis



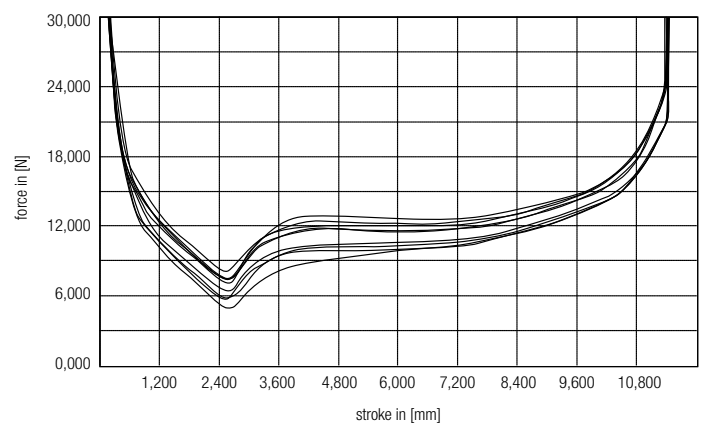
The term lifting cylinder may not be correct, however it does describe the area of application of this solenoid both simply and suitably.

Wherever a pneumatic cylinder is too expensive and too technically demanding, this very compact solenoid is used.

The following features distinguish it from the crowd:

- its speed
- low end-position pulse
- its easy controllability
- simple and compact build

Thanks to a guided axis it is suitable for the direct fitting of tools, e.g. a pinch roller.



Technical data

voltage:	24 V
duty cycle:	20 % (without current limit)
ambient temperature:	0 to 40 °C
actuation time: with boost current	< 40 msec
fall time: dependent on protective circuit	< 100 msec
mass to be moved:	< 50 g
transverse force:	< 5 N
axle:	Twist-proof
lift:	> 10 mm (limitable)
mediums:	Cleaning agent/condensed water
protection type:	Dependent on chosen electrical connection
fastening:	2 * M4
connection:	500 mm pig tail