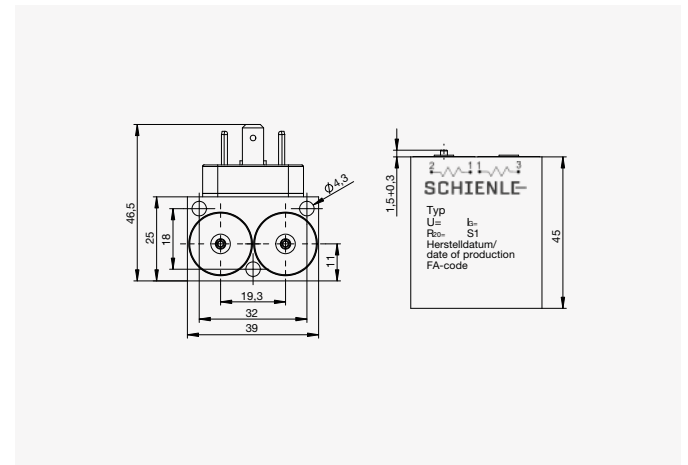


Twin solenoid SZ 8A2 xx



Twin valve control solenoid for hydraulic valves – Size 1

Twin valve control solenoids combine two separately controllable pressure-resistant single-stroke linear solenoids in a common enclosure. They are used for actuating valves (mostly pilot valves) and are characterised by their extremely compact construction.

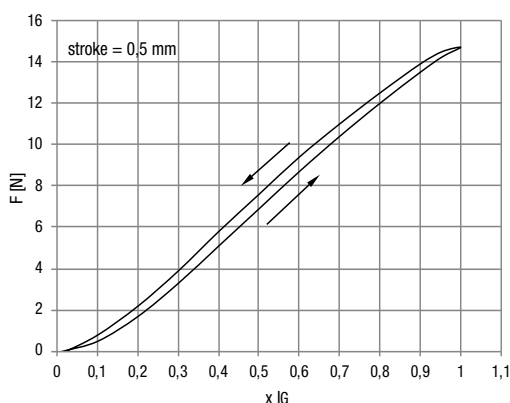
The solid housing, which is affixed to the valve with three screws, holds the pressure-resistant armature tube and permits operating pressure of 50 bar.

Optionally available with manual emergency override and the widest variety of connector sockets (AMP, German, DIN, Schlemmer etc), it is one of the products we offer in the greatest number of variants.

- Electrical design: Construction type and inspection in accordance with VDE 0580
- Electrical connection: DIN EN 175301-803 Form 'A'
- Protection class IP65 in accordance with DIN VDE 0470EN 60529 when used with an appliance socket that complies with DIN 43640

Technical data	24 V	12 V
limit current [A]	0.6	1.2
duty cycle [%]	100	100
max. ambient temperature [C°]	40	40
force vs. stroke characteristic	proportional	proportional
static working pressure [bar]	50	50
thermal class (coil)	F	F
ingress protection rating	IP65	IP65
electrical connection	DIN A, B, C, Desina, Junior Timer AMP, Deutsch, ITT-Canon	DIN A, B, C, Desina, Junior Timer AMP, Deutsch, ITT-Canon

Force vs. current diagram



Force vs. stroke diagram

